



SINK

ST982GM

INSET SINK
Stainless Steel AISI 304

EAN



PRICE

THB 24,900.-

Unit price in THB is
inclusive of 7% VAT.

FEATURES

- Inset Sink
- Grey Metal Color
- Big double bowl size of 450 x 400 mm.
- Bowls depth of 200 mm.
- High grade of AISI 304 stainless steel with Edge thickness of 4 mm. bowls 1.0 mm.

SPECIFICATION

PRODUCT MEASUREMENT

Overall Dimension 980 x 530 mm.

Net Weight 13.80 kg.

PACKAGING MEASUREMENT

Overall Dimension 1020 x 575 x 280 mm.

Gross Weight 20.28 kg.

INSTALLATION REQUIREMENT

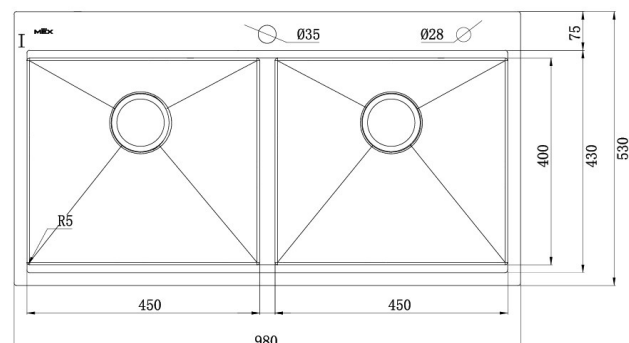
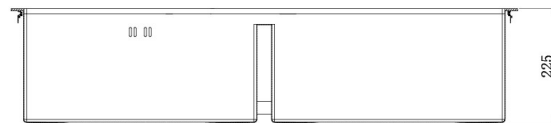
Cutting Size 960 x 510 mm.

Radius -

MADE OF AISI304 STAINLESS STEEL

The sink bowl is made of AISI 304 stainless steel that resists corrosion and long-lasting effect. The 304 stainless steel construction is perfect for everyday use. Its polished surface allow cleaning up easily and keeps hygienic for daily washing.

ISOMETRIC VIEW



SINK
ST982GM
 INSET SINK
 Stainless Steel AISI 304



PRICE
THB 24,900.-

Unit price in THB is inclusive of 7% VAT.

INCLUDED ACCESSORIES

- Pretty patented 3.5" kitchen sink drainer
- Fine grade overflow for bowl, drain pipe and p-trap.



CB260A

Chopping Board

Dimension : 260 x 426 x 22 mm.



CL23GM

Colander

Dimension : 209 x 418 x 70 mm.



RM330GM

Roll Mat

Dimension : 330 x 426 mm.

SD03GM

Soap Dispenser



1105SD-E9GM

Mixer Tap

